

For Product Step File or 3D Model Send a Request Mail To info@nrack.com

Key Locks



Panel Locks

Photo View



K0200

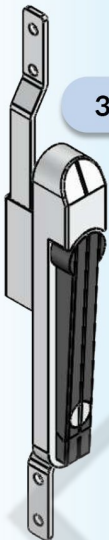


Plane Locks

3Point Locks (Round & Flat)

Handle & Knobs

3D Rendered View



Hinges

Airvents

Gasketing

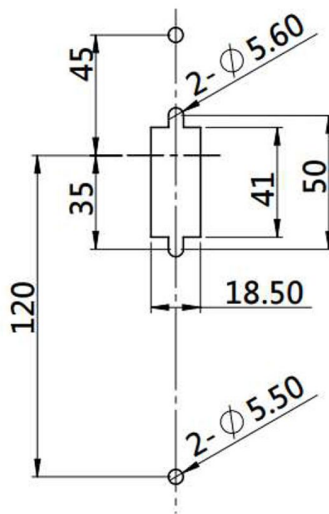
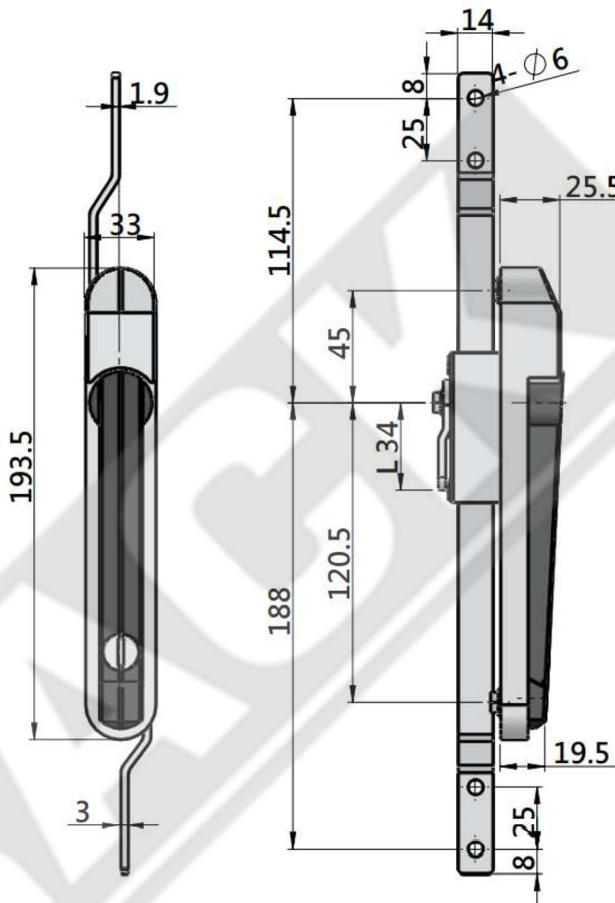
Canopy Locks

Other Accessories

Stainless Steel

MS 484-1-1

- Material: zinc die-casting body, zinc plating cam and bracket, sand bright chrome plating rack
- Panel thickness: 1~2mm
- Remark: cam cutout $\square 7 \times 7$



PANEL CUTOUT